

Low voltage transformers

T3P - Three phase power transformer

Three phase or single phase dry-type low voltage (LV) transformers are used as isolation transformers or to adjust the voltage level in the LV distribution grid. The windings are made of aluminum or copper and impregnated with epoxy resin of thermal class F or H by simple or vacuum pressure impregnation (VPI).



Application

ABB low voltage transformers are widely used in industrial applications and in commercial and public buildings. They are also used for adjusting the voltage from 690 V to 400 V or as isolation transformers with a voltage ratio of 1:1, providing galvanic separation.

Dedicated products are available for various applications in renewable power generation including:

- Wind or photovoltaics
- Transportation (ie, marine or railways)
- Uninterruptible power supply (UPS)
- Chemical, oil and gas industry
- Converters

Key features

- Low losses
- Low weight and compact dimensions
- Non-flammable and non-explosive
- IP23 enclosures (optional)
- With air cooling based on natural convection (AN) optional with forced air cooling (AF)

Standards

All units are built in accordance with IEC and EN.

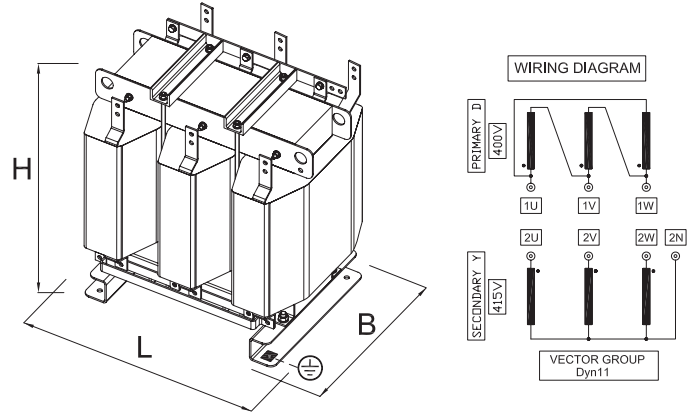
Ratings

Number of phases	3 or 1
Rated power	10-1,000 kVA (others on request)
Primary/secondary voltage	220, 230, 240, 380, 400, 415 600, 690 V
Frequency	50, 60, 400 Hz

T3P - Three phase power transformer

Features

- Voltage ratio: 400 V / 400 V (415V No Load)
- Frequency: 50 Hz or 60 Hz
- Vector group: Dyn11
- Technology: vacuum pressurized impregnation with epoxy resin class H
- Winding material: aluminum
- Terminals: copper cables shoes tinned or aluminum bars
- Cooling: AN
- Protection degree: IP00
- Installation up to maximum 1,000 meters (3,280 ft) A.S.L.
- Insulation voltage primary and secondary: 3 kV for one minute
- Winding temperature rise: 125 °C measured by resistance
- Ambient temperature: 40 °C maximum

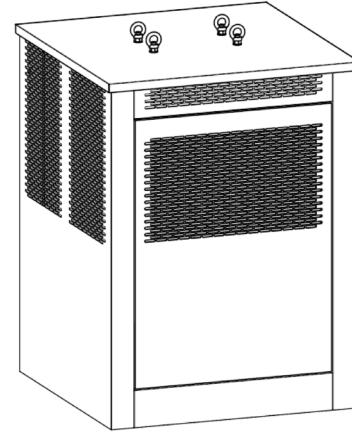


Power	Reference	Imped Ucc	Losses	Losses	Dimensions			Total weight
[kVA]	[IP00]	[%]	No-load [W]	Load (115 °C) [W]	L [mm]	B [mm]	H [mm]	[kg]
10	T3P0010K	4	150	400	350	230	400	65
13	T3P0013K	4	175	475	350	250	400	75
16	T3P0016K	4	200	560	420	260	450	88
20	T3P0020K	4	230	670	420	280	450	102
25	T3P0025K	4	270	780	420	290	450	120
32	T3P0032K	4	300	980	450	320	450	133
40	T3P0040K	4	350	1,120	450	350	470	163
50	T3P0050K	4	400	1,250	550	380	430	185
63	T3P0063K	4	450	1,450	550	450	430	220
80	T3P0080K	4	520	1,750	580	450	480	260
100	T3P0100K	4	600	2,250	580	470	540	300
125	T3P0125K	4	700	2,700	580	490	600	360
160	T3P0160K	4	840	3,100	650	520	620	450
200	T3P0200K	4	1,050	3,500	740	510	680	550
250	T3P0250K	4	1,250	3,900	770	520	780	655
315	T3P0315K	4	1,500	4,400	770	570	780	785
400	T3P0400K	4	1,750	5,000	860	600	860	1,000
500	T3P0500K	4	2,100	5,900	860	690	930	1,200
630	T3P0630K	4	2,650	6,800	950	730	1,000	1,570
800	T3P0800K	4	3,200	8,200	950	830	1,060	1,920
1,000	T3P1000K	4	3,750	10,000	950	860	1,160	2,150

T3P - Three phase power transformer

Features

- Enclosure shall be IP23 degree with two detachable panels on long side and detachable roof
- Four fixing points on the floor
- Four lifting hooks on cover for full lifting
- Cable entry from the bottom
- Painting: 100 micron DFT
- Finishing colour: grey RAL 7035



Optional enclosure supplied

Power [kVA]	Reference [IP00]	Imped Ucc [%]	X [mm]	Dimensions Y [mm]	Z [mm]	Total weight [kg]
10	T3P0010K23	4	550	500	750	100
12.5	T3P0013K23	4	550	500	750	110
16	T3P0016K23	4	550	500	750	123
20	T3P0020K23	4	550	500	750	138
25	T3P0025K23	4	550	500	750	155
31.5	T3P0030K23	4	750	700	1,000	193
40	T3P0040K23	4	750	700	1,000	223
50	T3P0050K23	4	750	700	1,000	245
63	T3P0063K23	4	750	700	1,000	280
80	T3P0080K23	4	750	700	1,000	320
100	T3P0100K23	4	750	700	1,000	360
125	T3P0125K23	4	750	700	1,500	460
160	T3P0160K23	4	1,000	1,000	1,500	550
200	T3P0200K23	4	1,000	1,000	1,500	650
250	T3P0250K23	4	1,000	1,000	1,500	755
315	T3P0315K23	4	1,000	1,000	1,500	885
400	T3P0400K23	4	1,000	1,000	1,500	1,100
500	T3P0500K23	4	1,000	1,000	1,500	1,300
630	T3P0630K23	4	1,200	1,200	1,750	1,720
800	T3P0800K23	4	1,200	1,200	1,750	2,070
1,000	T3P1000K23	4	1,200	1,200	1,750	2,300

For more information please contact:

ABB Management Service Ltd.

Affolternstrasse, 44
P.O. Box 8131
8050 Zurich, Switzerland

Trasfor S.A.

6995 Molinazzo di Monteggio
Switzerland
Phone: +41 91 611 30 82
Fax: +41 91 611 30 10
Email: info.trasfor@trasfor.ch

www.abb.com/transformers

Note:

The information contained in this document is for general information purposes only. While ABB strives to keep the information up to date and correct, it makes no representations or warranties of any kind, express or implied, about the completeness, accuracy, reliability, suitability or availability with respect to the information, products, services, or related graphics contained in the document for any purpose. Any reliance placed on such information is therefore strictly at your own risk. ABB reserves the right to discontinue any product or service at any time.

© Copyright 2014 ABB.
All rights reserved.